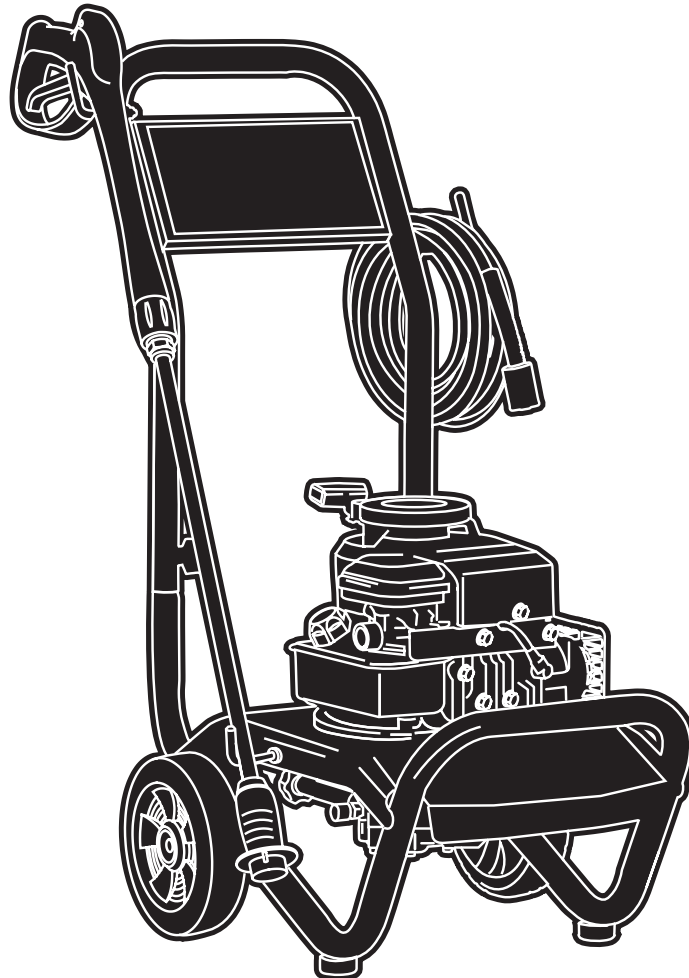


GENERAC®
Portable Products

2100PSI

Illustrated Parts List



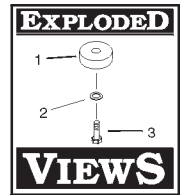
Questions? Help is just a moment away!
Preguntas? La ayuda es justa un momento lejos!

Call: **Pressure Washer Helpline**

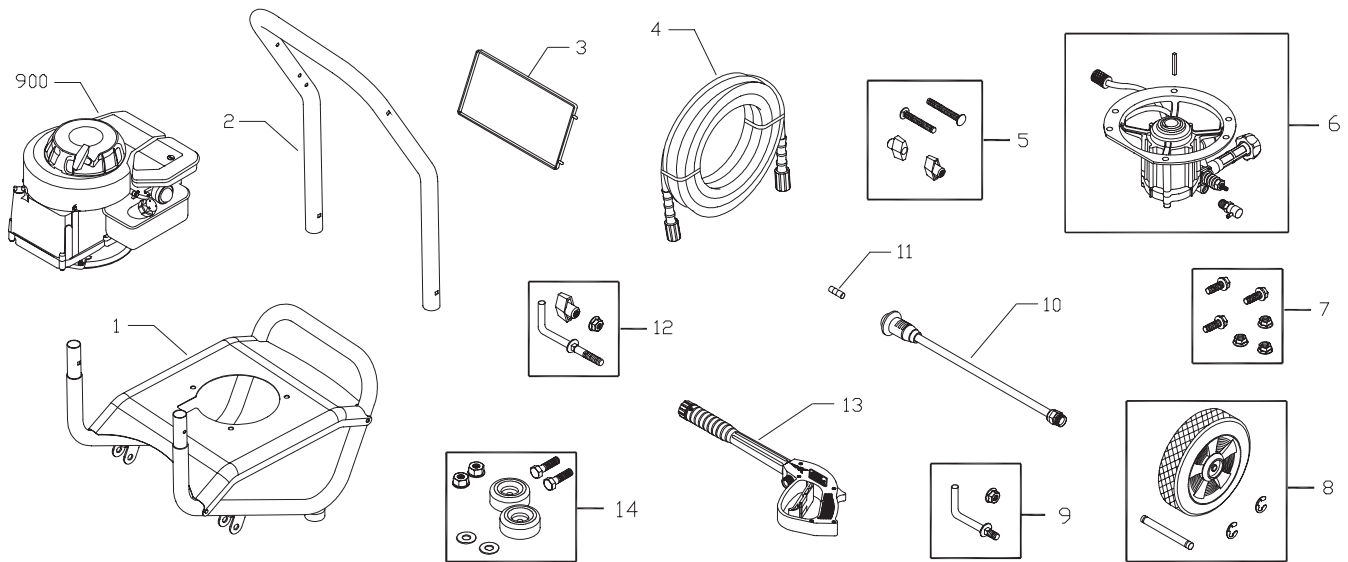
Llame: **Línea Directa del Lavador a Presión - 1-800-743-4115** M-F 8-5 CT

BRIGGS & STRATTON POWER PRODUCTS GROUP, LLC
JEFFERSON, WISCONSIN, U.S.A.

Model No. 01974-02 (2100 PSI Pressure Washer) Manual No. 1971795A Revision - (02//20/2007)



EXPLODED VIEW AND PARTS LIST - MAIN UNIT



Item	Part #	Description
1	192419GS	ASSY, Base
2	B194718GS	HANDLE
3	193732GS	ASSY, Billboard w/Decal
4	196006GS	HOSE
5	B2203GS	KIT, Handle Connector
6	200200GS	ASSY, Pump (see page 3)
	194298GS	Valve, Thermal Relief
	23139GS	Key
7	192525GS	KIT, Pump Mounting Hardware
8	192311GS	KIT, Wheel
	192006GS	Axle
	192050GS	E-Ring
9	192309GS	KIT, Hook, Base
10	188792HGS	ASSY, Wand
11	21760GS	ORIFICE
12	194264GS	KIT, Hook, Handle
13	193482GS	GUN

14	192310GS	KIT, Vibration Mount
900	§	ENGINE

Items Not Illustrated

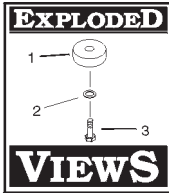
BB3061BGS	OIL BOTTLE
192755GS	DECAL, Warning
87815GS	GOGGLES
MS5573	MANUAL, Engine
197179GS	MANUAL, Operator's
194256GS	KIT, Tag Warning, Srv

Optional Accessories

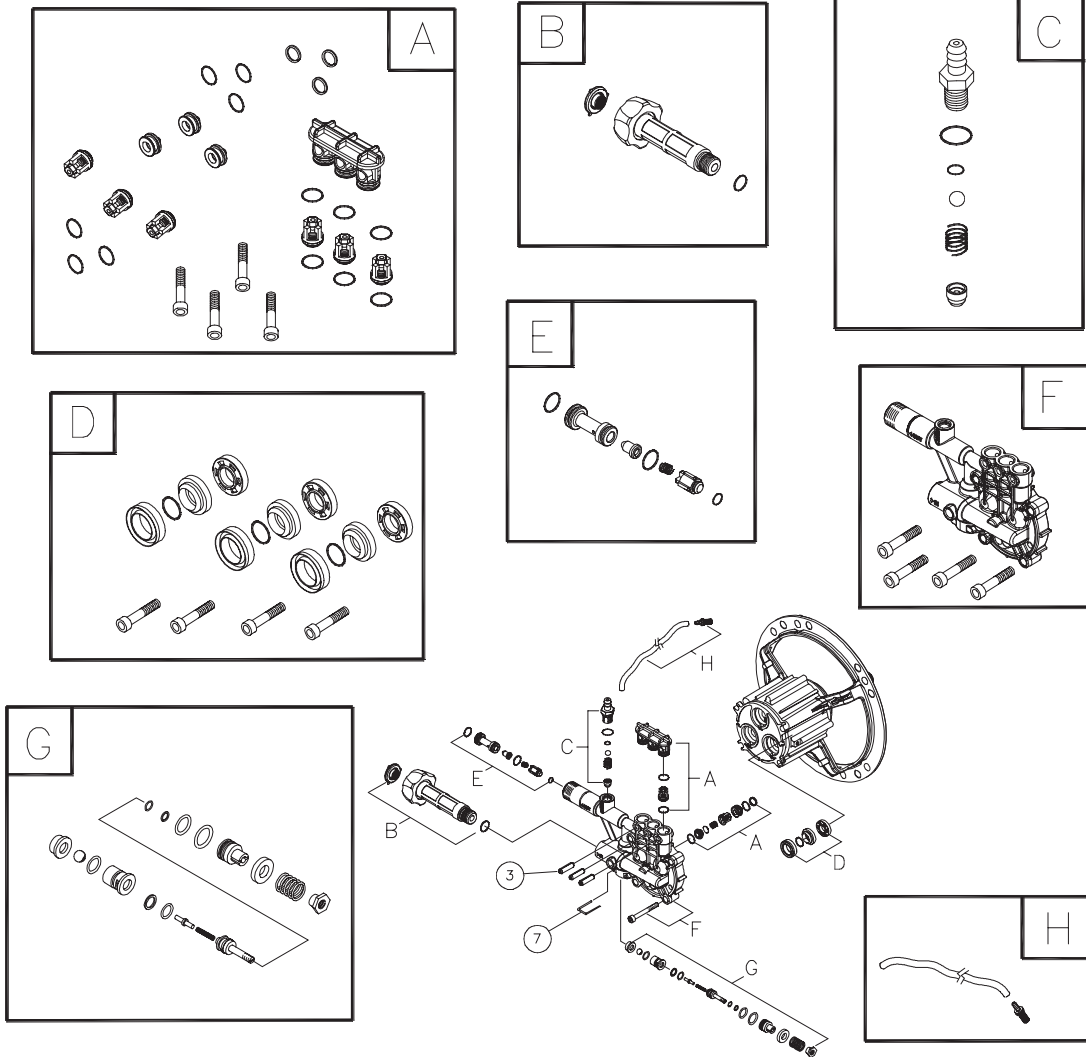
5041D	STABILIZER, Fuel
6048	KIT, O-Ring
6039	PUMP SAVER

§ - Contact Engine Manufacturer

Copyright © 2007 Briggs & Stratton Power Products Group, LLC. All rights reserved. No part of this material may be reproduced or transmitted in any form by any means without the express written permission of Briggs & Stratton Power Products Group, LLC.



EXPLODED VIEW AND PARTS LIST - PUMP



Item	Part #	Description
3	200274GS	PLUG, Elastic
7	190578GS	PIN
A	200298GS	KIT, CHECK VALVES
B	200278GS	KIT, WATER INLET
C	200279GS	KIT, CHEMICAL INJECTION
D	200280GS	KIT, HIGH PRESSURE SEALS
E	200281GS	KIT, CHEM INJECT VENTURI
F	200282GS	KIT, PUMP HEAD, ALUM
G	200283GS	KIT, BY-PASS
H	189971GS	KIT, CHEMICAL HOSE

Parts Not Illustrated	
B2384GS	FILTER, Inlet
186452GS	FILTER, Inlet, Bag of 10

NOTE: Item letters A-H are service kits and include all parts shown within the box.